

IMPORTANT SAFETY INSTRUCTIONS

WARNING - To guard against injury, basic safety precautions should be observed, including the following:

READ AND FOLLOW ALL SAFETY INSTRUCTIONS

DANGER - To avoid possible electric shock, special care should be taken in the use of aquarium equipment. For each of the following situations, do not attempt repairs yourself; return the appliance to an authorized service facility for service or discard the appliance.

1. A) If the appliance shows any sign of abnormal water leakage, immediately unplug from the power source.
B) Carefully examine the appliance after installation. It should not be plugged in if there is water on parts not intended to be wet.
C) Do not operate any appliance if it has a damaged cord or plug, or if it is malfunctioning or if it is dropped or damaged in any manner. Inspect power cord insulation to be sure there are no cuts or exposed wire. If so, discard and order a new replacement.
D) To avoid the possibility of the appliance plug or receptacle getting wet, position aquarium stand and tank to one side of a wall mounted receptacle to prevent water from dripping onto the receptacle or plug. A "drip loop", shown in the Figure at right, should be arranged by the user for each cord connecting an aquarium appliance to a receptacle. The "drip loop" is that part of the cord below the level of the receptacle or the connector if an extension cord is used, to prevent water traveling along the cord and coming in contact with the receptacle. If the plug or receptacle does get wet, DON'T unplug the cord. Disconnect the fuse or circuit breaker that supplies power to the appliance. Then unplug and examine for presence of water in the receptacle.
2. Close supervision is necessary when any appliance is used by or near children.
3. To avoid injury, do not contact moving parts or hot parts such as heaters, reflectors, lamp bulbs, etc.
4. Always unplug an appliance from an outlet when not in use, before putting on or taking off parts, and before cleaning. Never yank cord to pull plug from outlet. Grasp the plug and pull to disconnect.
5. Do not use an appliance for other than intended use. The use of attachments not recommended or sold by the appliance manufacturer may cause an unsafe condition.
6. Do not install or store the appliance where it will be exposed to the weather or to temperatures below freezing.
7. Make sure an appliance mounted on a tank is securely installed before operating it.
8. Read and observe all the important notices on the appliance.
9. If an extension cord is necessary, a cord with a proper rating should be used. A cord rated for less amperes or watts than the appliance rating may overheat. Care should be taken to arrange the cord so that it will not be tripped over or pulled.

**SAVE THESE
INSTRUCTIONS**

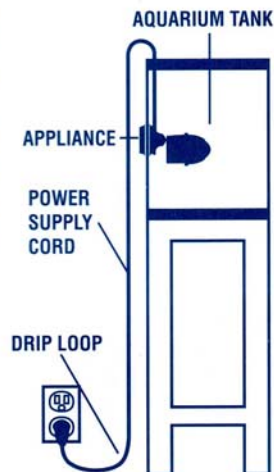
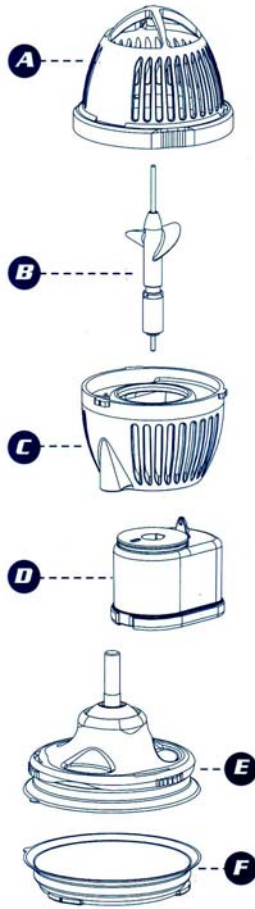
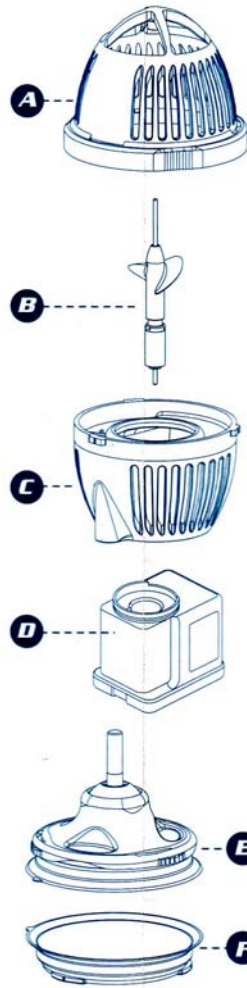


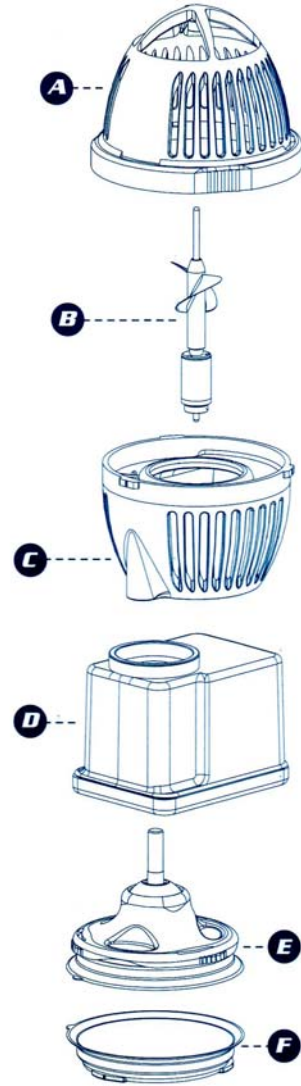
Fig. 1



KORALIA 1



KORALIA 2/3



KORALIA 4

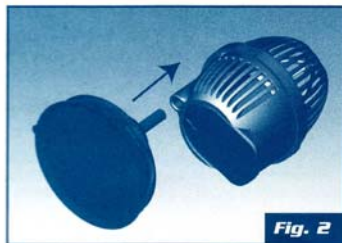


Fig. 2



Fig. 3



Fig. 4



Fig. 5



Fig. 6

GB Dear Hobbyist,
we thank You for choosing a **KORALIA** pump. Please read the following instructions very carefully for best understanding of the characteristics of this new , unique and innovative product.

INTRODUCTION

KORALIA is a new innovative range of circulation pumps for aquariums. The exclusive Hydor design and technology guarantee a continuous and powerful water flow which can be directed freely thanks to the special sphere shaped connection to the exclusive combination suction cup + magnet support. High performance, low energy consumption, quick and easy maintenance.
The combination suction cup + magnet can safely hold **KORALIAS** applied in tanks with glass (or acrylic) up to 15 mm thick.

DESCRIPTION -fig. 1-

- A** Upper chamber
- B** Impeller
- C** Lower chamber
- D** Pump body
- E** Internal suction cup + magnet support (with rotation sphere)
- F** External suction cup + magnet support

ATTENTION!!! **KORALIA** pumps are specially designed for use in aquariums and tanks for water movement. It is not a filtration pump. Please refer to your dealer for any other application.

SAFETY INFORMATION

Attention: please verify that all components of the pump are undamaged before putting it into function. Before any kind of intervention, ALWAYS disconnect electrical supply of the pump and any other appliance placed in the water. Be sure that the voltage of the mains supply corresponds to the voltage shown on the unit's label.

- The pump is intended for indoor use only in fluid with a temperature of max. 35°C (95°F).
- Do not connect to electrical supply if pump is not completely immersed in water.
- Do not connect to electrical supply if pump is missing parts.
- Do not connect to electrical supply if pump is not positioned using the supplied suction-cup + magnet support.
- The cord of this pump cannot be replaced or repaired; in case of damage the entire unit must be substituted.
- Do not cut or pull on the electrical cord.
- Always disconnect from mains gently and make sure hands are dry
- When in function, make sure that the pump surface is not blocked.
- When in function, make sure that the pump does not take in sand, as this could seriously damage the unit and void the guarantee (read carefully the maintenance paragraph).
- Due to the high attraction level between the magnets in the support, keep out of reach of children.
- Avoid attaching the magnets directly to one-another.
- Make sure you hold the magnets from the sides and avoid placing hands, fingers in between.
- At a distance up to 5 cm (1,97 inches) the magnets attract metal objects and other magnets with a high force: to prevent injuries, avoid closeness with blades, sharp objects or other magnets.
- The magnet can cause permanent damage to electrical devices or articles that are affected by a magnetic field such as pacemakers, credit cards, or keys: always maintain them at a minimum distance of 30 cm (12 inches).
- When not in use, always place the carton separator between magnets.
- If exposed to temperature higher than 50°C (122°F) the magnets can lose part or all the attracting power.
- Always clean the aquarium side before placing the suction cup+magnet support: any dirt on the surface might prevent the suction

- cup from attaching properly and the pump might slip on the bottom of the aquarium causing damage to things and itself.
- Please keep these instructions in a safe and dry place.

INSTALLATION

Attention: please verify that all components of the pump are undamaged before putting it into function. Before any kind of intervention, ALWAYS disconnect electrical supply of the pump and any other appliance placed in the water. Be sure that the voltage of the mains supply corresponds to the voltage shown on the unit's label.

In order to prevent noise and disturbance caused by vibration we suggest to position the pump avoiding lateral contact with the aquarium glass or in an upward position on the bottom.

- Unwind the electric cable.
- Insert the cylinder on the sphere attachment to the pump in the proper slot **-fig. 2-**.
- Immerse the pump completely and turn it in a vertical position in order to allow any air to come out of the impeller chamber.
- Attach the pump with the internal part of the suction cup + magnet support to the aquarium side as desired **-fig. 3-** (remember to clean the surface before attaching the support).
- Holding with one hand the pump attached inside the aquarium, place the external part of the magnetic support on the outside of the aquarium at a distance of approx. 10 cm (3.93 inches) from the centre of the internal support. Slowly move the external support until you feel the attraction between the magnets and place them so that the centres are on the same axis **-fig. 4-**.
- Direct the water flow as desired.
- Connect to electrical supply.

MAINTENANCE

Attention: before any kind of intervention, ALWAYS disconnect electrical supply of the pump and any other appliance placed in the water.

- Regular cleaning and maintenance will guarantee the pump better and longer performance.
- With one hand hold the pump assembly, with other hand remove the external magnet to release.
- Disassemble as shown **-fig. 5-**.
- Clean the impeller assembly removing deposits with a soft brush. Do not use detergents or solvents.
- Reassemble everything in reverse order, make sure the two notches on the pump chambers correspond and that the shaft is placed correctly **-fig. 6-**.
- In case of abnormal noise and /or reduced performance caused by sudden changes in electricity supply, it is sufficient to restart the pump.

GUARANTEE

This device is guaranteed for a period of 24 months from the day of purchase, against defects in material or manufacturing defects. Our guarantee does not apply to claims the cause of which is due to installation and operation faults, lack of maintenance, misuse of the appliance, effects of frost, furring and lime deposits or amateur attempts at repair work. The consumable materials and the parts subjected to wear and tear, that must be periodically replaced for normal maintenance of the device, are not included in our guarantee. The certificate of guarantee must be completed by the retailer and is to be sent with the appliance in case of return, together with the purchase receipt recording the day of purchase.